



FLEXLENS[®] TORIC

Designed for success. Guaranteed to fit.

- Custom soft toric contact lens.
- Back surface toric design, with 1.50D of prism ballast to stabilize rotation.
- Provides superior optics.

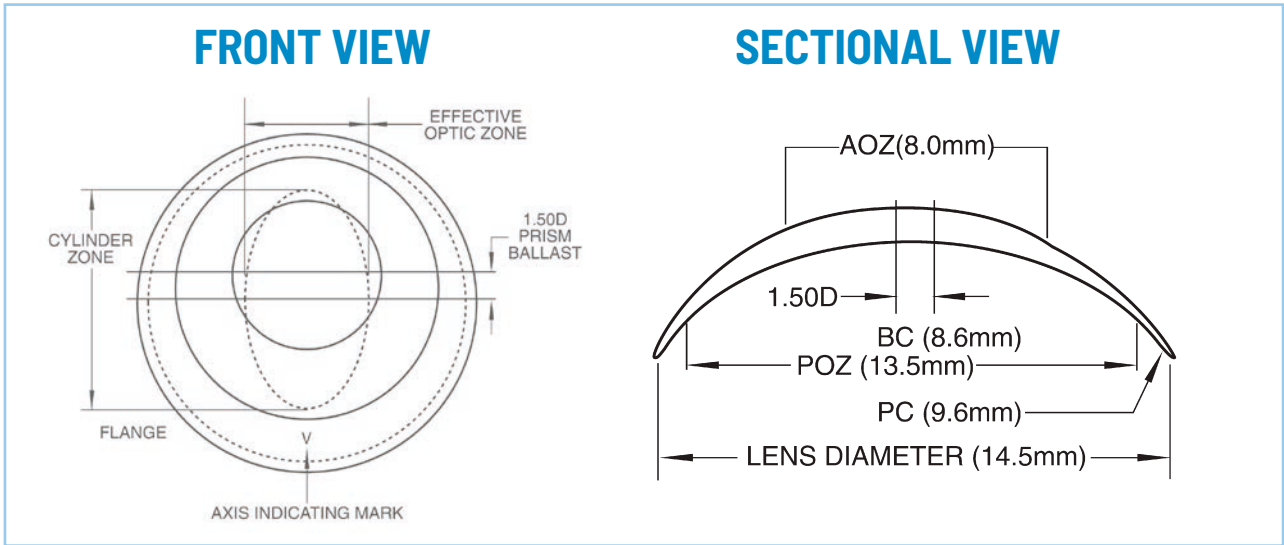
The Flexlens Toric Lens is indicated for daily wear use for the correction of visual acuity in aphakic and non-aphakic patients with non-diseased eyes with myopia or hyperopia and possesses refractive astigmatism not exceeding 10.00D.

Design Features	Design Benefits
Prism ballast design	Predictable orientation with minimal rotation
Uniformed edge thickness	Enhanced comfort
Back surface toric	Rapid stabilization
Monthly replacement	Better patient compliance
74% silicone hydrogel	Initial and end of day comfort

The Design

The Flexlens Toric Lens utilizes a back surface toric design, with 1.50D of prism ballast to stabilize rotation. There is a laser mark (V) at 6 o'clock to mark the location of the prism ballast. Unlike other prism ballasted lenses, the Flexlens Toric maintains a uniformed edge thickness for enhanced comfort. For those patients with high degrees of irregular astigmatism that cannot achieve optimal visual acuity can try a rigid gas permeable lens, Flexlens ARC or the Flexlens Piggyback design.

Lens Design



Adaptation Guide

Flat "K" Reading

- 45.00D and steeper
- 43.25D to 44.75 D
- 41.25D to 43.00 D
- 41.00D and flatter

Suggested BC

- 8.0mm to 8.3mm
- 8.3mm to 8.6mm
- 8.6mm to 8.9mm
- 8.9mm to 9.2mm

Suggested Diameter

- 14.0
- 14.0 or 14.5
- 14.5 or 15.0
- 15.0

The chosen lens should be placed on the eye and allowed to settle for a minimum of 20 minutes before evaluating the fit for movement, rotation, and centration. The ideal lens fit should exhibit good centration with approximately 0.25 to 0.50mm of lens movement in primary position. If upon evaluation, the lens rotates more than 10 degrees and your over-refraction does not yield good visual results, consider a change in base curve and/or diameter prior to ordering a new lens that incorporates the cross cylinder as determined by your over-refraction. If lens rotates 10° or less and yields a stable over-refraction then re-order based on new lens that incorporates the cross cylinder as determined by your over-refraction.

PARAMETERS	STANDARD	CUSTOM
Base Curve	8.0mm to 9.2mm in 0.1mm steps	6.8mm to 10.0mm in 0.1mm steps
Diameter	13.5mm to 15.0mm in 0.1mm steps	10.0mm to 16.0mm in 0.1mm steps
Power	+10.00 D to -10.00 D (in 0.25 D steps)	+30.00 D to -30.00 D (in 0.25 D steps)
Cylinder	-0.50 D to -10.00 D (in 0.25 D steps)	-0.50 D to -10.00 D (in 0.25 D steps)
Axis	1° increments up to 180°	1° increments up to 180°
Center Thickness	0.16mm at -3.00 D	0.16mm at -3.00 D
Wear Indication	Daily wear / Monthly, Quarterly, or Yearly	
Material	Defitive 74% Silicone Hydrogel, 49% Hioxifilcon B	